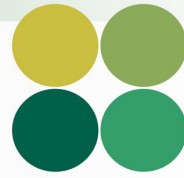


## Quality Irrigation Products



ISO 9001:2008  
CERTIFIED



# UMC

[www.umcproducts.com](http://www.umcproducts.com)

2920 Airway Ave, Costa Mesa, Ca. 92626  
phone: 714.437.9600 fax: 714.437.9700

## Final Drive Gearbox



### TNT-2 Gearbox

**Designed for applications where the irrigation system may need to be towed**

This gearbox is the perfect solution for a towable irrigation system. Growers typically prefer this gearbox over a gearbox with a towable hub. Simply disengage the worm and tow your system to its working location, then re-engage the worm and you are ready to run. The CX coupler is the perfect compliment for the TNT-2 gearbox due to the ability to control coupler disengagement at the gearbox.

Model Number	Ratio
TNT-2-UV	52:1
TNT-2-U	50:1

### Features and Benefits

The UMC® patented TNT-2 final drive gearbox is designed specifically for applications where a center pivot or lateral move/ linear irrigation system needs to be towed. The gearbox provides the ability to disengage the worm gear and allows users to move systems from one area to another without requiring a Towable Hub add on.

- ▶ 2.25" output shaft
- ▶ 50:1 gear ratio
- ▶ Dual input seals with triple lip output seals
- ▶ Bronze gear optional
- ▶ Input shaft guard
- ▶ External seal protectors for input and output seals
- ▶ Top oil fill plug
- ▶ 11-Bolt mounting pattern
- ▶ Full cycle expansion chamber with stainless steel cover
- ▶ Filled with extreme pressure worm gear oil
- ▶ Steel output shaft and input shaft
- ▶ Tapered roller bearings
- ▶ Includes carriage bolts and nuts
- ▶ Dual ended input shaft



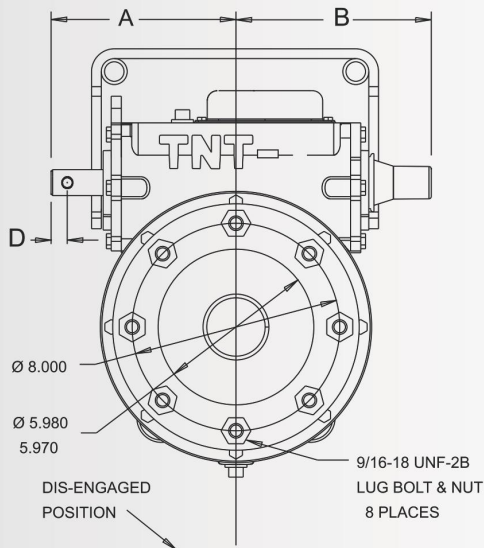
# agnFlow

[www.agnflow.com.au](http://www.agnflow.com.au)

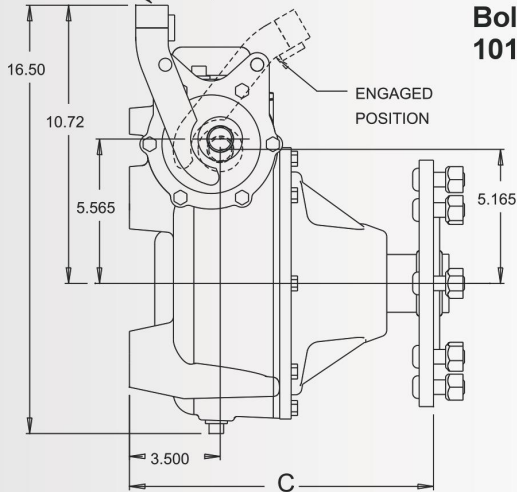
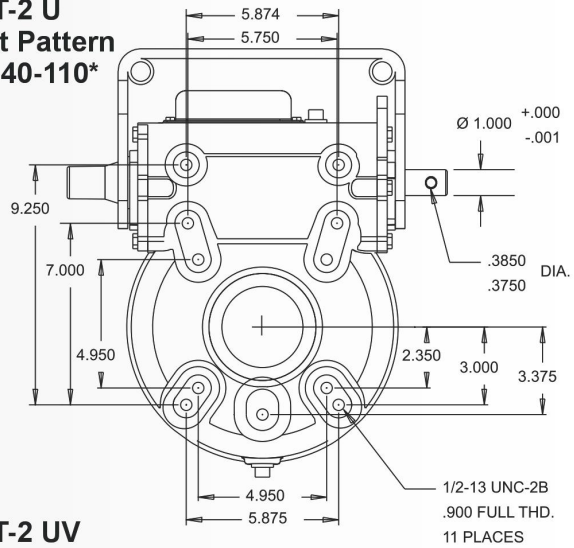
CALL US ON  
03 53434370

[sales@agnflow.com](mailto:sales@agnflow.com)

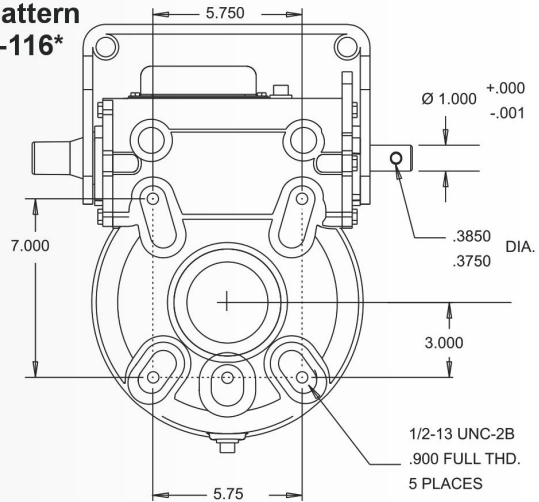
# Universal Motion Components



**TNT-2 U  
Bolt Pattern  
10140-110\***



**TNT-2 UV  
Bolt Pattern  
10140-116\***



Dimension	A	B	C	D
TNT2-U	7.05"	7.529"	11"	.625"
TNT2-UV	7.788"	8.192"	13.07"	1"



**agnFlow**

[www.agnflow.com.au](http://www.agnflow.com.au)

CALL US ON  
03 53434370

[sales@agnflow.com](mailto:sales@agnflow.com)