

# Universal Motion Components

## Quality Irrigation Products



# UMC



ISO 9001:2008  
CERTIFIED

[www.umcproducts.com](http://www.umcproducts.com)

2920 Airway Ave, Costa Mesa, Ca. 92626  
phone: 714.437.9600 fax: 714.437.9700

## Towable Products



### BT4-B Bolt-on Towable Hub

Designed to convert standard gearboxes for use in towable applications

Pin and Bracket Sold Separately

Model Number	Description
BT4-B	BT4-B Towable Hub

### Features and Benefits

UMC's BT4-B Bolt-on Towable Hub is designed to convert standard gearboxes for use in towable applications. It fits all UMC gearboxes and works with all gear ratios. It requires a pin and bracket assembly (sold separately) to lock the tow hub.

- ▶ Fits all UMC gearboxes
- ▶ Locking pin and bracket available
- ▶ Works with all gear ratios
- ▶ Heavy duty cast steel shaft and cast iron hub
- ▶ Grease and pressure relief fittings included
- ▶ Bolt-in hub cap secured with three 1/4-20 bolts and sealed with silicone RTV
- ▶ Tapered roller bearings
- ▶ Includes carriage bolts and nuts



# agnFlow

[www.agnflow.com.au](http://www.agnflow.com.au)

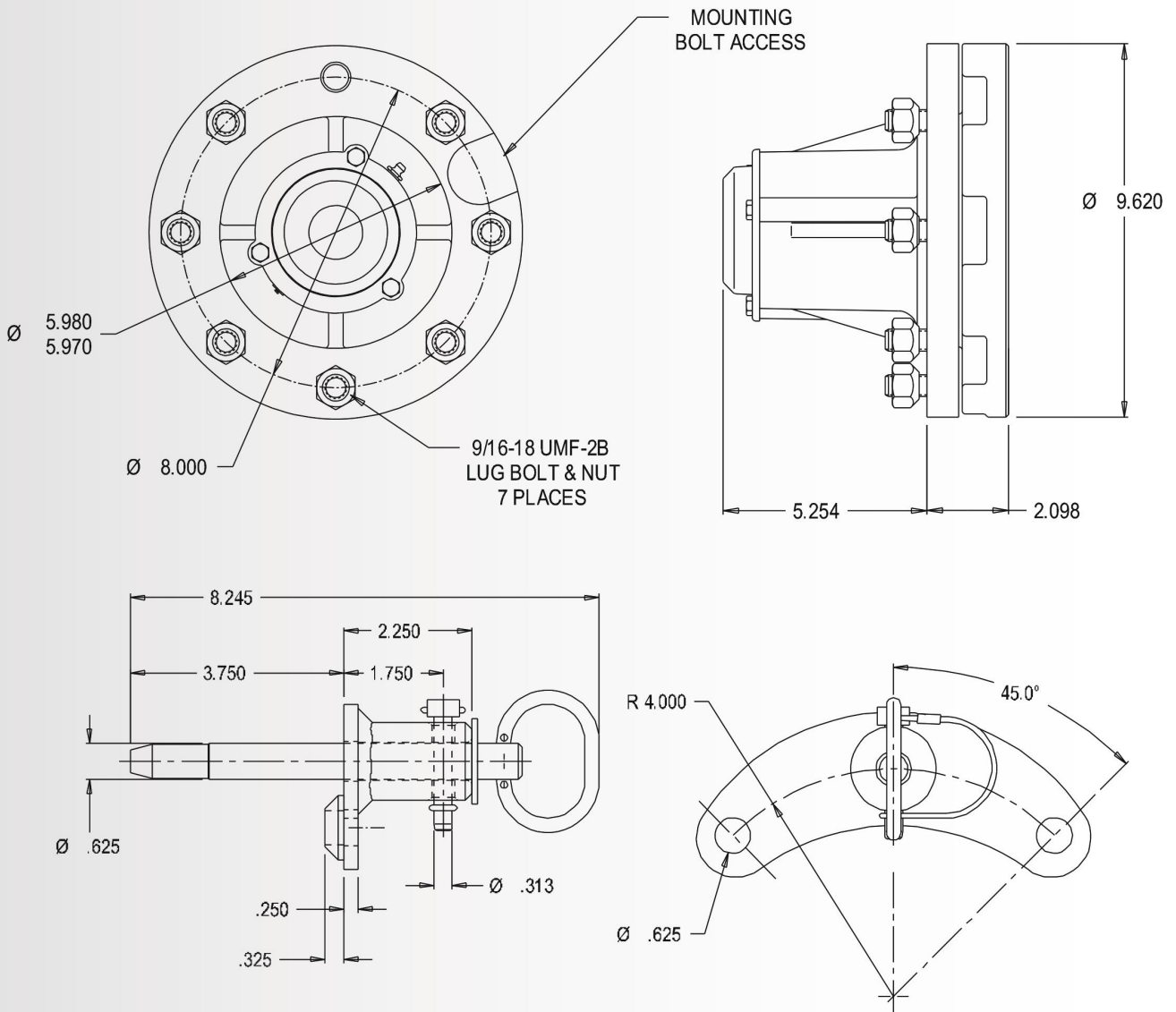
CALL US ON  
03 53434370

[sales@agnflow.com](mailto:sales@agnflow.com)

# Universal Motion Components

Dimension Drawing

## BT4-B Towable Hub & Pin Bracket Assembly



Pin and Bracket Sold Separately



**agnFlow**

[www.agnflow.com.au](http://www.agnflow.com.au)

CALL US ON  
03 53434370

[sales@agnflow.com](mailto:sales@agnflow.com)