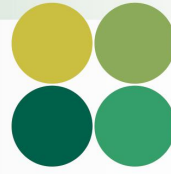


## Quality Irrigation Products



ISO 9001:2008  
CERTIFIED



# UMC

[www.umcproducts.com](http://www.umcproducts.com)

2920 Airway Ave, Costa Mesa, Ca. 92626  
phone: 714.437.9600 fax: 714.437.9700

## Final Drive Gearbox



### 775-U Gearbox

#### Designed for extreme overhung loads

Growers typically use this gearbox when faced with the same field conditions where a 745 or 760 would do the job but the overhung load from extremely heavy towers and large/wide wheels warrants the use of a box with a larger diameter output shaft and output bearings. It is an ideal selection where dual wheel or special aftermarket track and/or wheel assemblies are used. In some cases it removes the need of a spacer to get clearance from the drive tube/base beam.

Model Number	Ratio
775-U	50:1

### Features and Benefits

The UMC 775-U final drive gearbox features the same great characteristics as the 740, with the addition of a 3" output shaft and a cover designed specifically to support extreme overhung loads, heavier spans and/or wider wheels for use on center pivots, and lateral move/ linear irrigation systems.

- ▶ 3" output shaft
- ▶ 50:1 gear ratio
- ▶ Cartridge input seals with dual output seals
- ▶ Larger input bearings
- ▶ Input shaft guard
- ▶ External seal protectors for input and output seals
- ▶ Top oil fill plug
- ▶ 11-Bolt mounting pattern
- ▶ Full cycle expansion chamber with stainless steel cover
- ▶ Filled with extreme pressure worm gear oil
- ▶ Steel output shaft and input shaft
- ▶ Tapered roller bearings
- ▶ Includes carriage bolts and nuts
- ▶ Dual ended input shaft



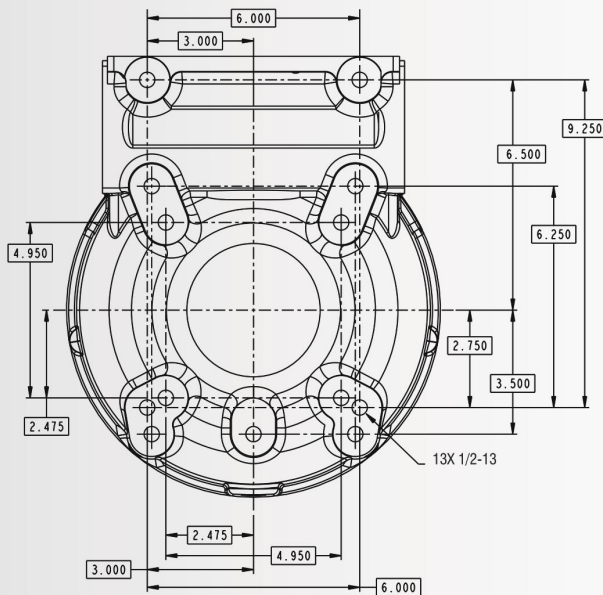
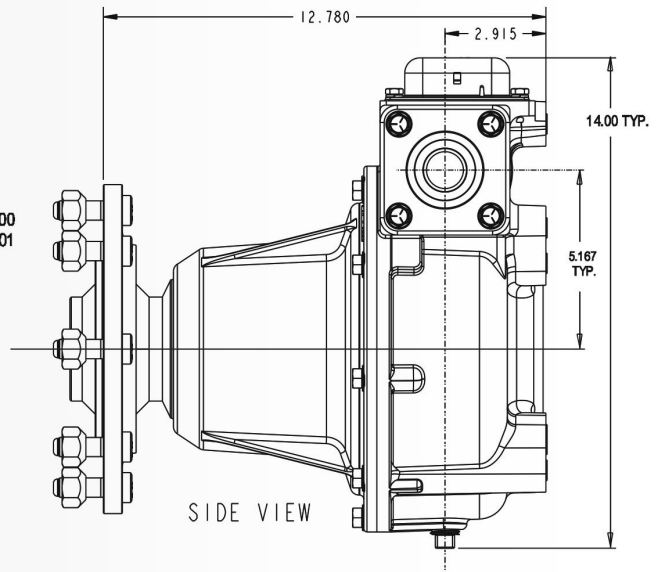
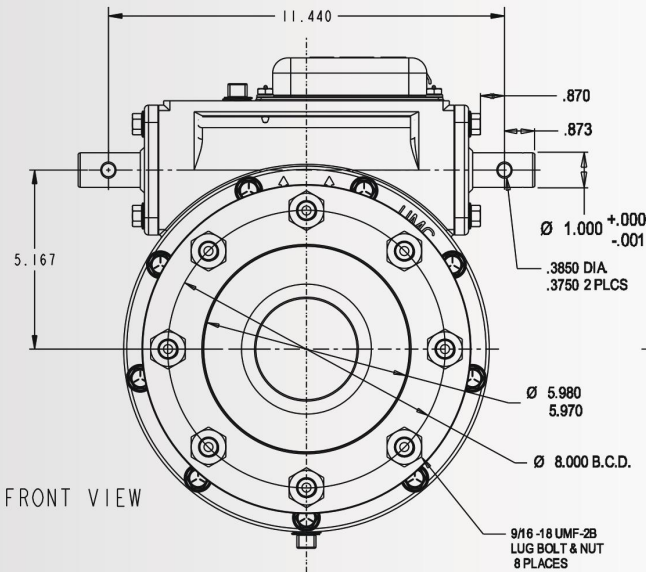
# agnFlow

[www.agnflow.com.au](http://www.agnflow.com.au)

CALL US ON  
03 53434370

[sales@agnflow.com](mailto:sales@agnflow.com)

# Universal Motion Components



Model: 775-U



**agnFlow**

[www.agnflow.com.au](http://www.agnflow.com.au)

CALL US ON  
03 53434370

[sales@agnflow.com](mailto:sales@agnflow.com)