

# Universal Motion Components

## Quality Irrigation Products



# UMC



ISO 9001:2008  
CERTIFIED

[www.umcproducts.com](http://www.umcproducts.com)

2920 Airway Ave, Costa Mesa, Ca. 92626  
phone: 714.437.9600 fax: 714.437.9700



## 760-U Gearbox

**Designed for corner systems and lateral move carts**

Growers typically use UMC's 760-U gearbox for the most extreme applications. The gearbox is designed for higher annual hours of operation while handling the heavy loads experienced on corner systems and lateral move carts as well as the most extreme field conditions where wheel rutting is prominent, soil is heavy, and tower weights are higher.

Model Number	Ratio
760-U	50:1

## Features and Benefits

The UMC® 760-U final drive gearbox is our largest and most durable gearbox. It features a larger-diameter bull gear than the standard 740 series to handle 20% higher torque. It also features a 2.5" output shaft to accommodate more overhung load. It is designed for use on center pivots, corners, lateral move/ linear irrigation systems and carts.

- ▶ 2.5" output shaft
- ▶ 50:1 gear ratio
- ▶ Unique dual input and output seal design
- ▶ 20% more torque capacity than the standard 740
- ▶ Bronze gear optional
- ▶ Larger input bearings
- ▶ Input shaft guard
- ▶ External seal protectors for input and output seals
- ▶ 11-Bolt mounting pattern
- ▶ Full cycle expansion chamber with aluminum cover
- ▶ Filled with extreme pressure worm gear oil
- ▶ Steel output shaft and input shaft
- ▶ Tapered roller bearings
- ▶ Includes carriage bolts and nuts
- ▶ Dual ended input shaft



# agnFlow

[www.agnflow.com.au](http://www.agnflow.com.au)

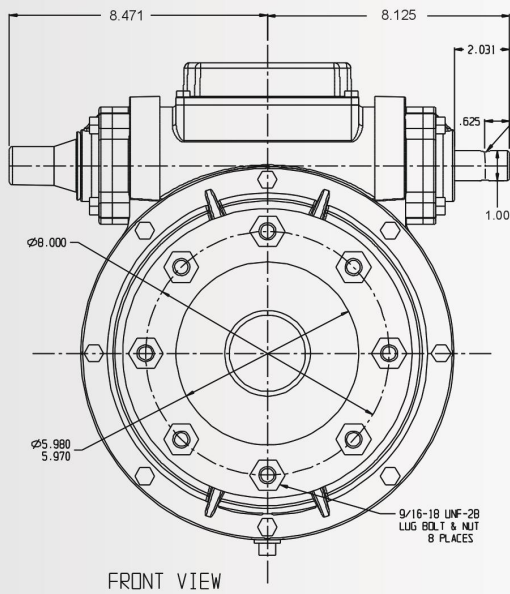
CALL US ON  
03 53434370

[sales@agnflow.com](mailto:sales@agnflow.com)

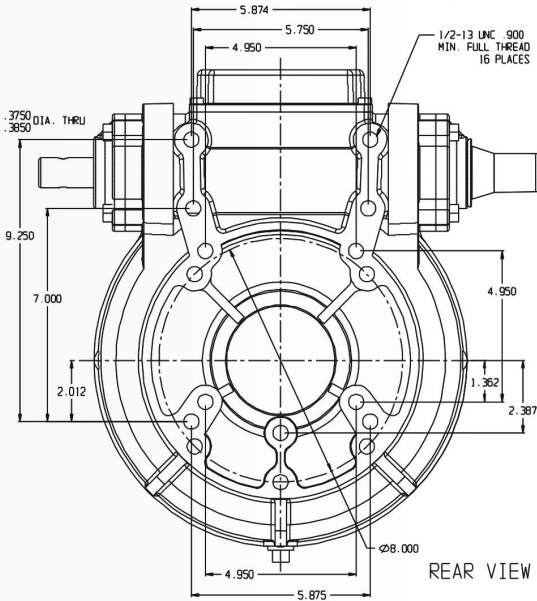
# Universal Motion Components



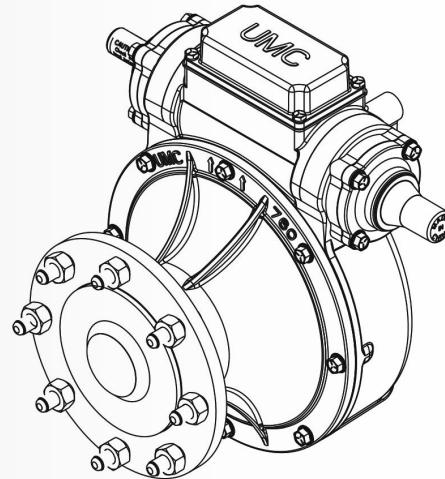
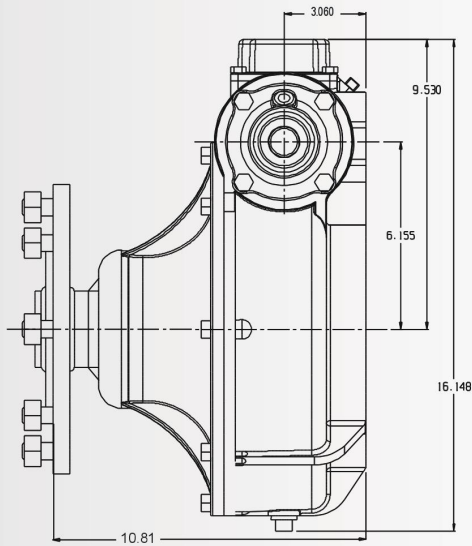
UMC



FRONT VIEW



REAR VIEW



**agnFlow**

[www.agnflow.com.au](http://www.agnflow.com.au)

CALL US ON  
03 53434370

[sales@agnflow.com](mailto:sales@agnflow.com)