



The ICII Gearbox

Super Series Gearbox

50:1 Gearbox

52:1 Gearbox

Superior Engineering & Features

- External Expansion Chamber
- API Cartridge Input/Output Seals
- Premium Oversized & Tapered Bearings on Input Shafts to Handle Extreme Loads
- 2 1/4" (5.72cm) High Strength Alloy Steel Output & Input Shafts
- Alloy Gear Teeth for Superior Wear Resistance and Longevity
- Dual Input Shafts
- Universal (13-bolt) Mounting
- Filled with Premium Extreme Pressure GL5 Gear Oil
- 3-Year Warranty



Part No.	Model	Description
1011814250	ICII-250SS	Super Series Gearbox, 50:1, Standard Duty, Non-Tow
1011814252	ICII-252SS	Super Series Gearbox, 52:1, Standard Duty, Non-Tow



agnFlow

www.agnflow.com.au

CALL US ON
03 53434370

sales@agnflow.com

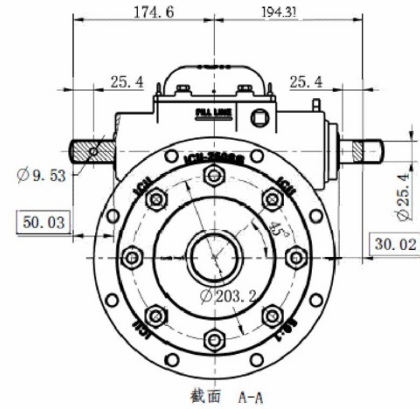
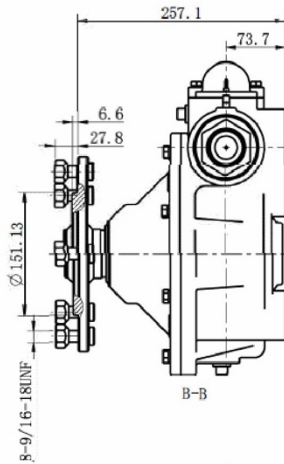
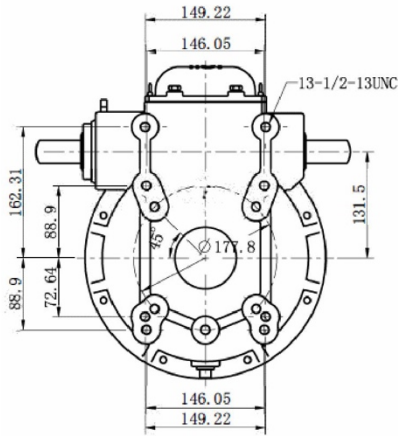


The ICII Gearbox

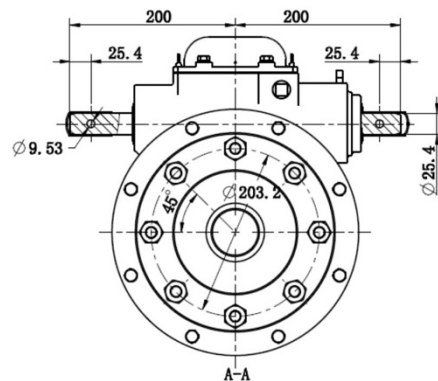
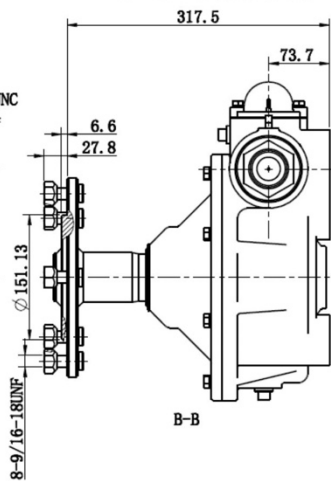
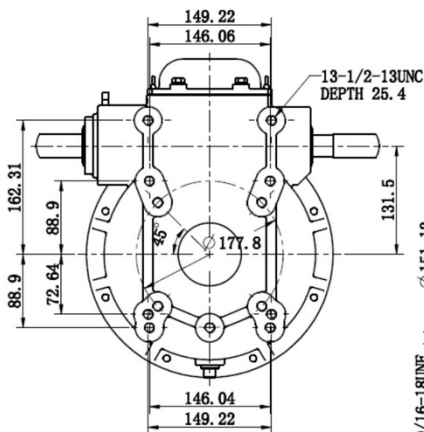
Super Series Gearbox

50:1 Gearbox

52:1 Gearbox



50:1 Gearbox



52:1 Gearbox



agnFlow

www.agnflow.com.au

CALL US ON
03 53434370

sales@agnflow.com