



# The ICII Gearbox

*Bronze Gearbox*

50:1 Universal Gearbox

52:1 Long Shaft Gearbox

## Superior Engineering & Features

- Designed for Corner Arms, Linear Carts, & Heavy Spans
- Bronze Bull Gear with Steel Alloy Worm Gear
- API Cartridge Input/Output Seals
- Oversized Bearings on Input Shaft to Handle Higher Loads
- 2 1/4" (5.72cm) High Strength Steel Output Shaft/High Strength Input Shaft
- Premium Tapered Bearings
- 3-Year Warranty



Part No.	Model	Description
1011814150	ICII-150GB	Universal Gearbox, 50:1, Standard Duty, Non-Tow
1011814151	ICII-152GB	Long Shaft Gearbox, 52:1, Standard Duty, Non-Tow



**agnFlow**

[www.agnflow.com.au](http://www.agnflow.com.au)

CALL US ON  
03 53434370

[sales@agnflow.com](mailto:sales@agnflow.com)

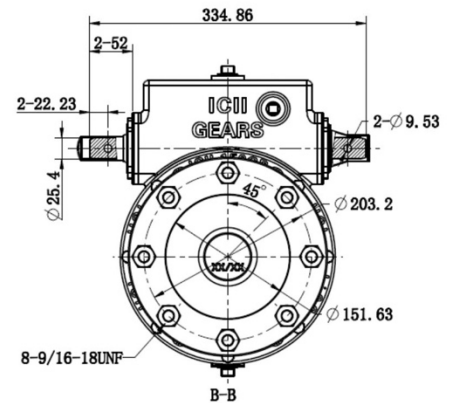
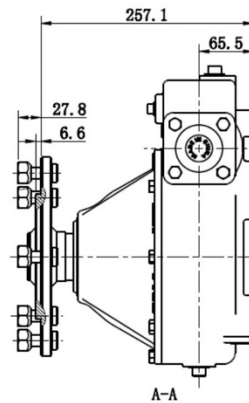
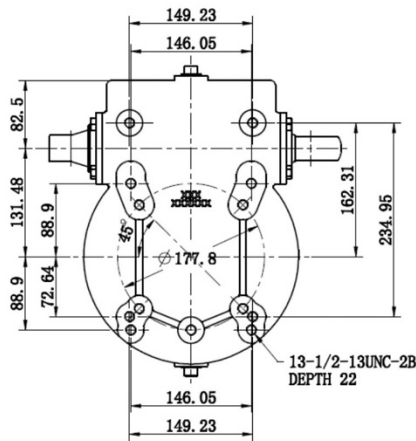


# The ICII Gearbox

*Bronze Gearbox*

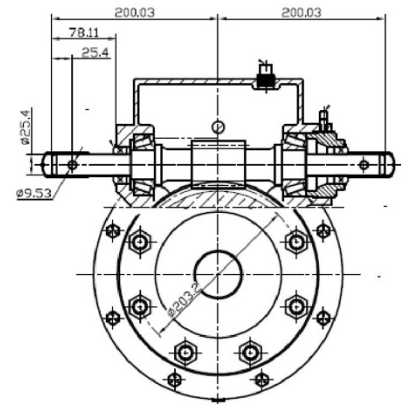
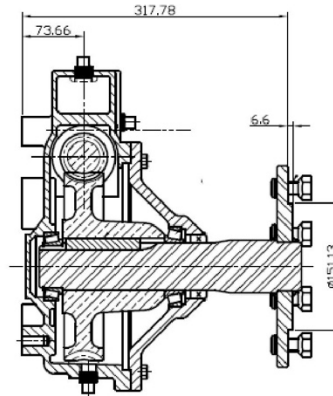
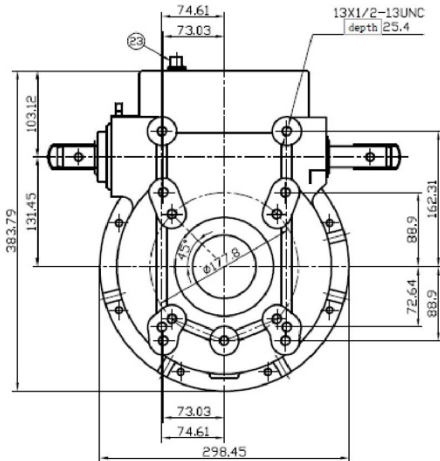
50:1 Universal Gearbox

52:1 Long Shaft Gearbox



50:1 Gearbox

52:1 Gearbox



**agnFlow**

[www.agnflow.com.au](http://www.agnflow.com.au)

CALL US ON  
03 53434370

[sales@agnflow.com](mailto:sales@agnflow.com)