



CALL US ON 0353434370
0438809708
Email: sales@agnflow.com

agnFlow
AGRICULTURAL SUSTAINABLE SOLUTIONS

MANUAL CLEAN SCREEN FILTER



STRUCTURE CHARACTERISTIC

- ✓ Structural shell with carbon steel or stainless steel(304,316L), stainless steel mesh filter, nylon mesh, the number of rich, complete specifications, strong combination, installation and cleaning is very convenient, from maintenance.
- ✓ Quickly open the structure, cleaning and replacing the filter cartridge is convenient.
- ✓ Filtration accuracy: 80 mesh/100 mesh/120mesh/150mesh
- ✓ Model: L type and Y type; 2", 3", 4", 6", 8", 10", 12".

Manual Clean Screen filter for the treatment of inorganic impurities in water is most effective, when the water flow through the filter, the filter mesh is greater than the number of impurities will be intercepted, with the filter adhering impurities continue to increase before and after the filter pressure but also bigger and bigger. If the pressure difference is too large, the screen filter expansion will make some impurities squeeze the filter into the irrigation system and even rupture the filter, so proper management measures must be taken to ensure that the pressure difference before and after the filter remains within the allowable rang. Only through rigorous selection and operation under normal conditions, screen filters can achieve cost-effective purpose.

In the filter state, the impurities are intercepted inside the filter, when need to wash, just open the wash port drain valve, the high-speed water quickly remove the impurities out of the filter, Screen filter is the use of filters composed of pores, the raw water of silt, suspended solids and other impurities interception, as the filter was scientifically distributed, so the filter on the interception of impurities is very good, the quality of effluent is also greatly improved.



CALL US ON 0353434370
0438809708
Email: sales@agnflow.com

agnFlow

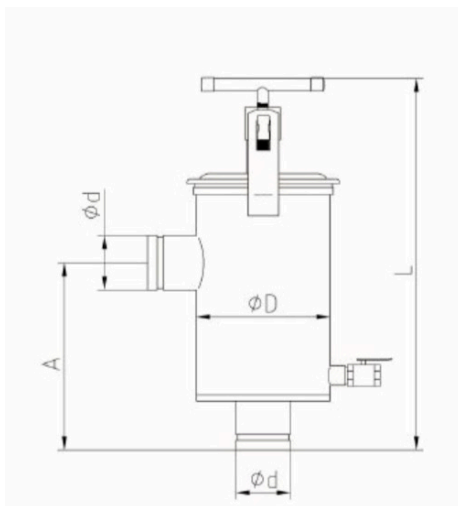
AGRICULTURAL SUSTAINABLE SOLUTIONS



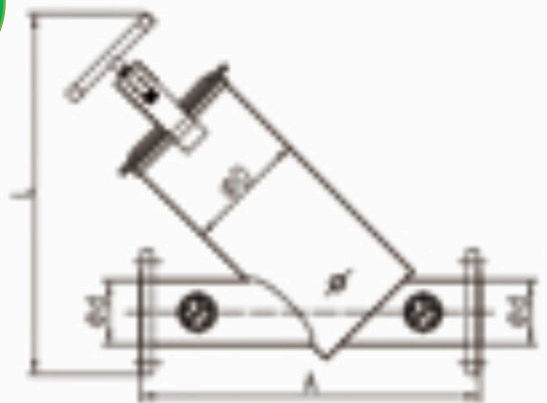
SPECIFICATION

PROD UCT CODE	MAX FLOW	FILTRATIO N AREA	MESH FILTER	MAX PRESSURE	D mm	L mm	A mm	D mm	CONNECT TYPE	INLET/ OUTLE T PIPE SIZE	WASH PROT
AFFWL2	25 m ³ /h	350cm ²	130	0.7MPa	219	610	310	60	Bayonet	2"	3/4"
AFFWL3	45 m ³ /h	350cm ²	130	0.7MPa	219	610	310	89	Bayonet	3"	3/4"
AFFWL4	60 m ³ /h	470cm ²	130	0.7MPa	219	725	430	114	Bayonet	4"	3/4"
AFFWY2	25 m ³ /h	350cm ²	130	0.7MPa	219	550	550	89	Flange	2"	3/4"
AFFWY3	45 m ³ /h	350cm ²	130	0.7MPa	219	640	600	114	Flange	3"	3/4"
AFFWY4	60 m ³ /h	470cm ²	130	0.7MPa	219	800	700	133	Flange	4"	3/4"

L
Type



Y
Type



NOTICE

When the filter network accumulates some dirt, the pressure drop between the inlet and outlet will increase dramatically. When the pressure drop exceeds 0.07MPa, it needs to be washed in time.

1. The direction of water import and export must be selected and used according to the filter direction of the filter cartridge, and must not be used in reverse direction.
2. If the filter cartridge and seal ring are damaged, it must be replaced in time, otherwise the filtering effect of water will be lost.
3. Water should be emptied when it is not used in winter to prevent broken.